

C1 - C3 = 100 nF (betecknade ".1 63")  
 R1, R3 = 4k7 (blå grå svart brun brun)  
 R2 = 2M2 (röd röd svart gul brun)  
 T1, T2 = BF245B  
 P1 = 100 k (Blend, betecknad "B100k")

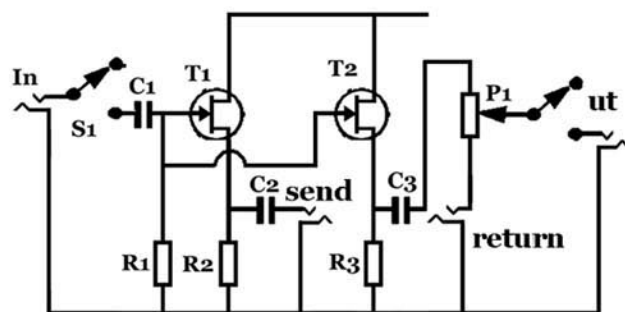


Moody Sounds  
 Gitarreffekter, Byggsatser  
[www.moodysounds.com](http://www.moodysounds.com)  
 support:  
[forum.moodysounds.se](http://forum.moodysounds.se)

# moody® Blend Kit

The main part in the Moody Blend is the buffer / splitter, see schematics in the image to the right.

The buffer / splitter is made up of two FET transistors. The signal is buffered and split up in two.



One signal is routed to a send jack (via C2). Connect this jack with the input on your external pedal.

The other signal is routed to a blend control (via C3 to P1 in the image).

Connect the return jack with the output on the pedal you want to blend in. This jack is also routed to the blend control inside the blend pedal.

Now, with the blend control, you decide the mix between clean and the external effect.

